



Over-the-Side Immersion Heaters

L-Shaped Metal Sheath Heaters

TLC, KTLC, TLO, KTLO, TLS, KTLS, TLI, KTLI

- Copper, Steel, Stainless Steel, INCOLOY® Sheath Elements
- 20 and 40 W/in²
- 2 - 18 kW
- 120, 240 and 480 Volt, 1 & 3 Phase
- Moisture Resistant Terminal Enclosure
- Optional Integral Thermostat

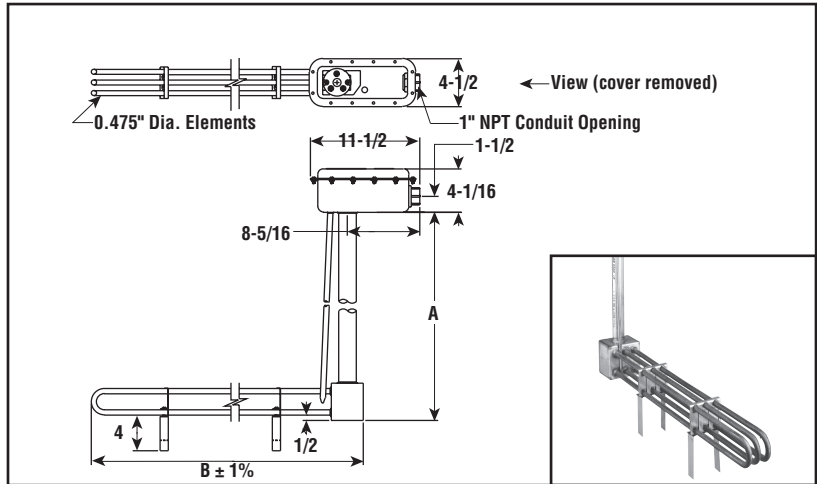
Description

Light weight, portable, easy to install L-shape construction, puts the heat at the bottom of the tank and the terminal enclosure at the top of the tank. Capacities, dimensions and heater sheaths fit a wide range of heating applications. Easy to install and remove for cleaning with straight or circular element designs to fit many tank configurations.

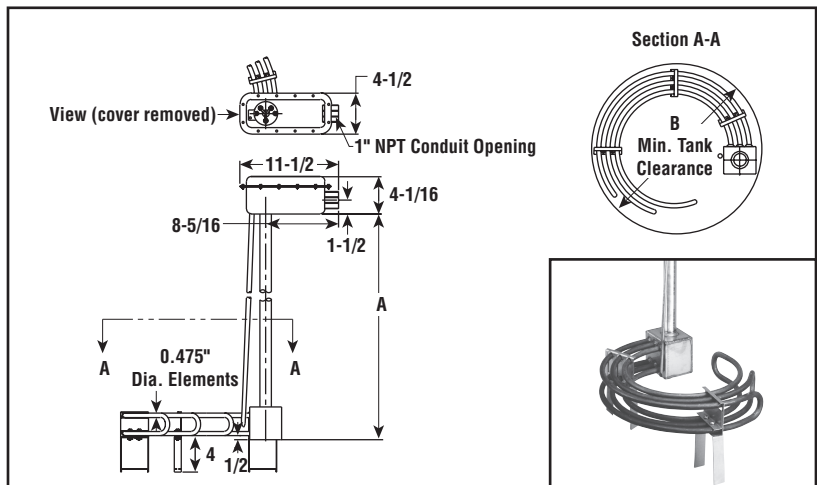
Features

- Copper Sheath and Riser (40 W/in²)
- Steel Sheath and Riser (20 W/in²)
- Stainless Steel Sheath and Riser (40 W/in²)
- INCOLOY® Sheath and Stainless Steel Riser (40 W/in²)
- 36 and 48" Riser Heights
- Moisture Resistant Terminal Enclosure
- Thermowell (standard on S and AS heaters)
- 4" Sludge Legs (standard on S and AS heaters). Increases A dimension 3-1/2". Keeps heated section off bottom of tank.

Straight Elements — Dimensions (Inches)



Circular Elements — Dimensions (Inches)



Optional Features

- Integral Thermostat Kit DPST "AR" type rated 30 Amp at 120 - 277V (field installed)
 - 60 - 250°F (AR-219 Kit, PCN 277819)
 - 200 - 550°F (AR-519 Kit, PCN 277827)¹
 - 0 - 100°F (AR-115 Kit, PCN 277835)
- Factory Installed Thermostat (specify range above)
- Explosion Resistant Terminal Enclosure (CSA/NRTLTC Certified)
- Longer Riser and Sludge Leg Heights
- INCOLOY® Riser
- Process and Overtemperature Protection Thermocouples
- Increase Number of Elements (horizontally and/or vertically) for larger kW ratings
- Lower Watt Densities for heating Viscous Materials
- Manhole Construction for Covered Tanks

Note —

1. Not UL Listed or CSA Certified with 200 - 550°F Thermostat Kit